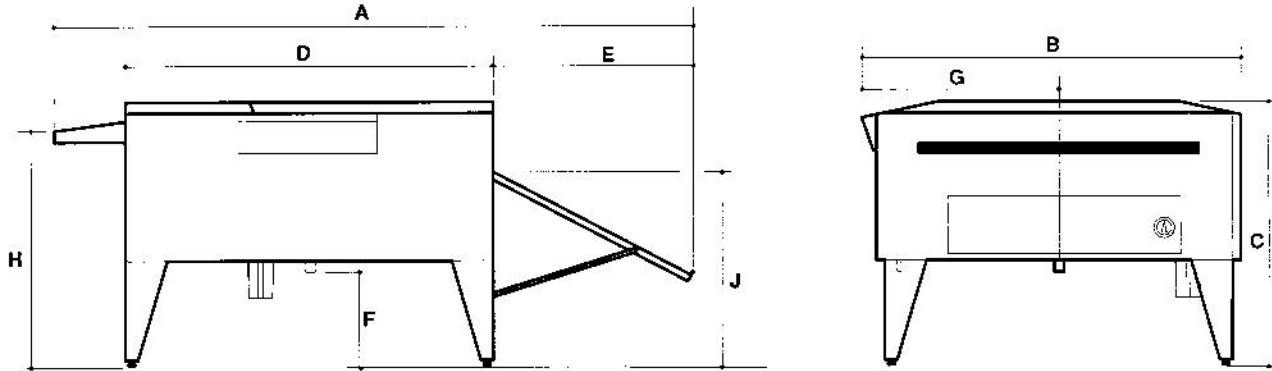




Specifications

Designed to give reliable and efficient processing of most photopolymer CTP plates within a small footprint, the Onyx range retains the durability, high quality and ease of operation associated with all NES processing equipment.



Dimensions:

	Onyx 700	Onyx 850
A	2637mm	2753mm
B	1160mm	1330mm
C	1110-1290mm	1110-1290mm
D	1350mm	1350mm
E	967mm	1083mm
F	357-535mm	357-535mm
G	615mm	700mm
H	910-940mm	910-940mm
J	900-930mm	900-930mm

Weight (Uncrated): 275kg 300 kg

Plate Sizes

Max. plate width: 700mm (27.5") 850mm (33.5")

Min. plate length: 255mm (10.0")

Plate thickness: 0.15mm (0.006") - 0.40mm (0.016")

Plate Types Single sided photopolymer plates.

Plate Processing Speed

0.57m (22.4")/min. @ 30 second dev. dwell.

0.81m (31.9")/min. @ 21 second dev. dwell.

Developer

Type: As recommended by plate and chemical representative.

Capacity: 25 litres (6.6 US gallons) - **Onyx 700**

31 litres (8.2 US gallons) - **Onyx 850**

Overflow: To waste bottle.

Replenishment: Per plate – adjustable 0-180 seconds (0-200ml).

Temperature: Adjustable between 18-35°C (64°-95°F)

Temperature maintained within ± 1°C (± 2°F) tolerance only when used in conjunction with chiller unit.

Gum/Finisher

Type: As recommended by plate and chemical representative.

Capacity: 2.0 litres (0.5 US gallons) - **Onyx 700**
2.5 litres (0.7 US gallons) -

Overflow: To replenisher bottle.

Replenishment: Continuous when processing.

Rinse/Prewash

Prewash Capacity: 4.5 litres (1.2 US gallons) - **Onyx 700**
5.6 litres (1.5 US gallons) - **Onyx 850**

Rinse Capacity: 7.0 litres (1.85 US gallons) - **Onyx 700**
8.5 litres (2.25 US gallons) - **Onyx 850**

Note: Optional recirculation units are available to reduce water consumption.

Electrical Requirements

220-240 VAC 1N+PE 50/60Hz 40A

Optional Equipment

Water recirculation units

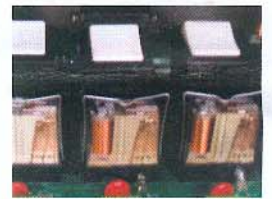
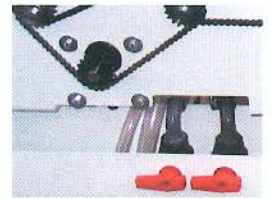
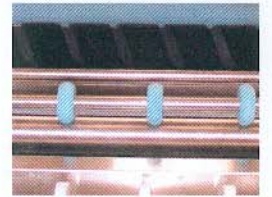
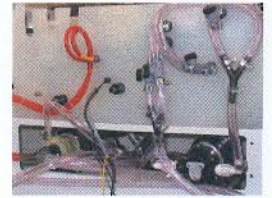
Mechanical Interfaces

Plate Stacker



Hunter Penrose Supplies Ltd
32 Southwark Street, London, SE1 1TU
0044 207 407 5051 info@hunterpenrose.co.uk

Onyx 700/850 Violet Plate Processor



Standard Equipment includes:-

- Input and exit tables
- Developer Chiller unit
- Adjustable pre-heat temperatures to accommodate up to 4 distinct plate thicknesses
- Cycling timer
- Minimum plate length of 255mm (10")
- Small footprint
- Installation through standard single doorway