

## BLANKET SALES HIT NEW RECORD

Hunter Penrose posted sales of 3,724 blankets and 28 master rolls of printing blanket in the first 3 months of 2007. The record figures are mainly for the new Hunterpress A640, a versatile and reliable sheet fed blanket at an economical price, as well as special price reductions on stocks of cut blankets for Heidelberg and Adast presses. Hunterpress A630 Web in the newspaper web sector, and self-adhesive blankets for UV printing also put in a strong performance.



Thousands of Hunterpress blankets each year are cut to size and individually checked for quality by professionals.



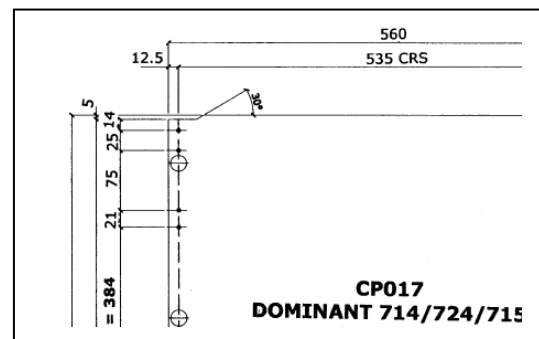
A complete range of steel and aluminium blanket-bars for every kind of press.



New Universal 70 of Goss Systèmes Graphiques, top quality blankets installed for colour news publication.



Mr Emmanuel Umoette (r), Controller of Purchasing, Guardian Press plc surveys Hunterpress blanket facility with David Thomas of Hunter Penrose.



Over 200 kinds of press have blankets with special holes punched.

# HUNTERPRESS

## BLANKETS

### HUNTERPRESS

#### A630 WEB

Strong and very accurate blanket for colour news and heatset. 1.95 / 1.70mm

### HUNTERPRESS

#### A640

Reliable sheet fed blanket for coated and uncoated or carton substrate. 1.95mm

### HUNTERPRESS

#### UV

Long-lasting blanket, resistant to UV-cured inks and varnishes. 1.95mm

### HUNTERPRESS

#### AT

Self-adhesive blanket as standard or UV type. 0.90 / 0.95 / 1.00 / 1.04mm

## STOCK COMPRESSIBLE

Popular sizes cut from specially selected low-price blanket. 1.95 / 1.70mm

Great care is taken in the making of Hunterpress blankets. To get the best results, choose from the Hunter Penrose wide range of press-room accessories and materials:

Blanket Underlays	Self-adhesive polyester, 12 thicknesses
Blanket Underlays	Type "S" calibrated manilla, 8 thicknesses
Blanket Micrometer	Hand-held spring gauge, accurate to 0.01mm
Packing Gauge	Measures thickness of blanket on the press
Auto wash	Blanket wash made to FOGRA standard
GP Wash	Manual blanket wash, safe and effective
Power Treatment	Restorer and De-glazer for blankets / rollers
Cal-Go	Calcium de-glazer

**Hunter Penrose Supplies Ltd**  
32 Southwark Street  
London SE1 1TU  
Tel +44 207 407 5051  
Fax +44 207 378 1800  
info@hunterpenrose.co.uk

*World-wide suppliers to the Printing Industries*

[www.hunterpenrose.co.uk](http://www.hunterpenrose.co.uk)